

Conduction Cooled Vertical Stack Diode Laser

Vsilk 2-1200plus



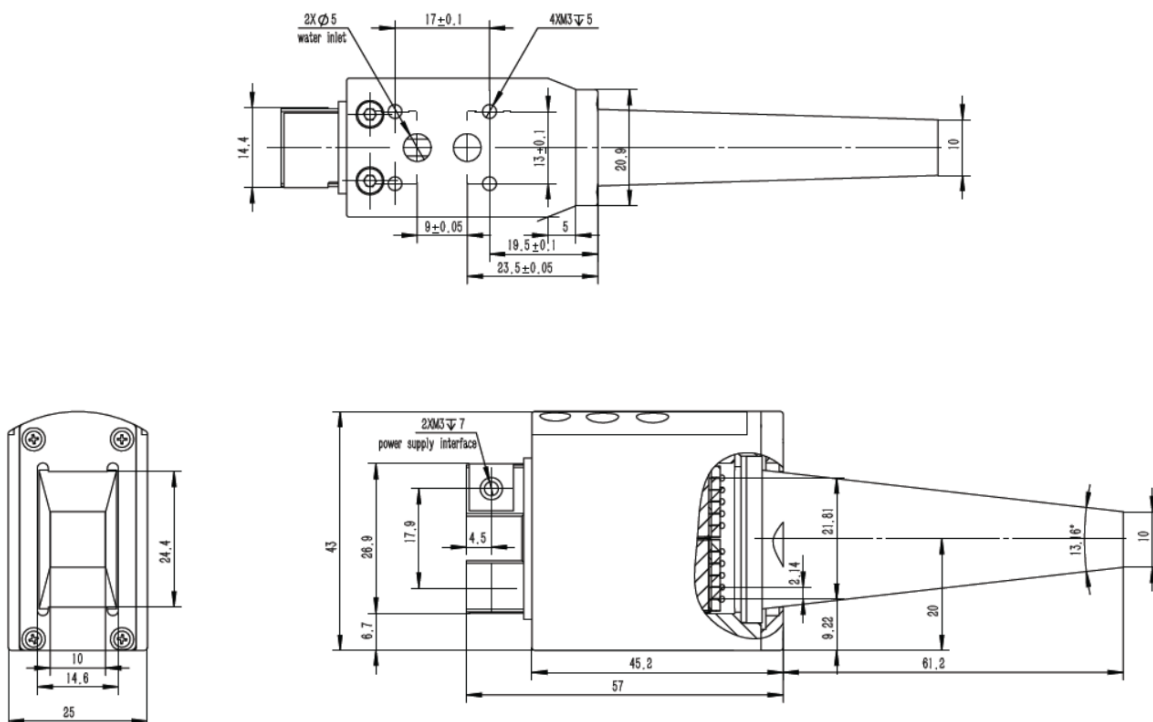
Features

- High effective energy
- High beam quality
- High reliability
- Small size
- Light weight

Applications

- Hair removal

Product Dimensions (mm)



Remark: The structure drawing is for reference only. Please feel free to contact us for any special requirements.

Product Specifications

Product Code

HAR300096

Part No. ¹

FL-Vsilk2-1200-808-P

Optical Data ²	Unit	Value
Centroid Wavelength	nm	808
Wavelength Tolerance	nm	± 15
Output Power after LD ³	W	1200
Output Power after waveguide ³	W	1000
Number of bars	-	10
Spot Size ⁴	mm	10 × 10
Wavelength Temp. Coefficient	nm/°C	~ 0.28

Electrical Data ²

Operation Current	A	≤ 130
Threshold Current	A	≤ 25
Operating Voltage	V	≤ 20
Slope Efficiency per bar	W/A	≥ 1.0
Power Conversion Efficiency	%	≥ 45
Max. Pulse Width	ms	400
Max. Duty Cycle	%	30

Miscellaneous Data

Operating Temperature ⁵	°C	22 ~ 28
Coolant	-	Distilled water or pure water
Flow Rate	L/min	3 ~ 4

¹Part No. = Brand Code - Series - Power - Centroid Wavelength - P (with waveguide).

²Data at 25°C unless otherwise stated.

³Reduced lifetime if used above nominal operating conditions.

⁴Output from the waveguide.

⁵A non-condensing environment is required for storage and operation below ambient dew level.

