

# Conduction Cooled Vertical Stack Diode Laser

## Vsilk 2 Pro-2000



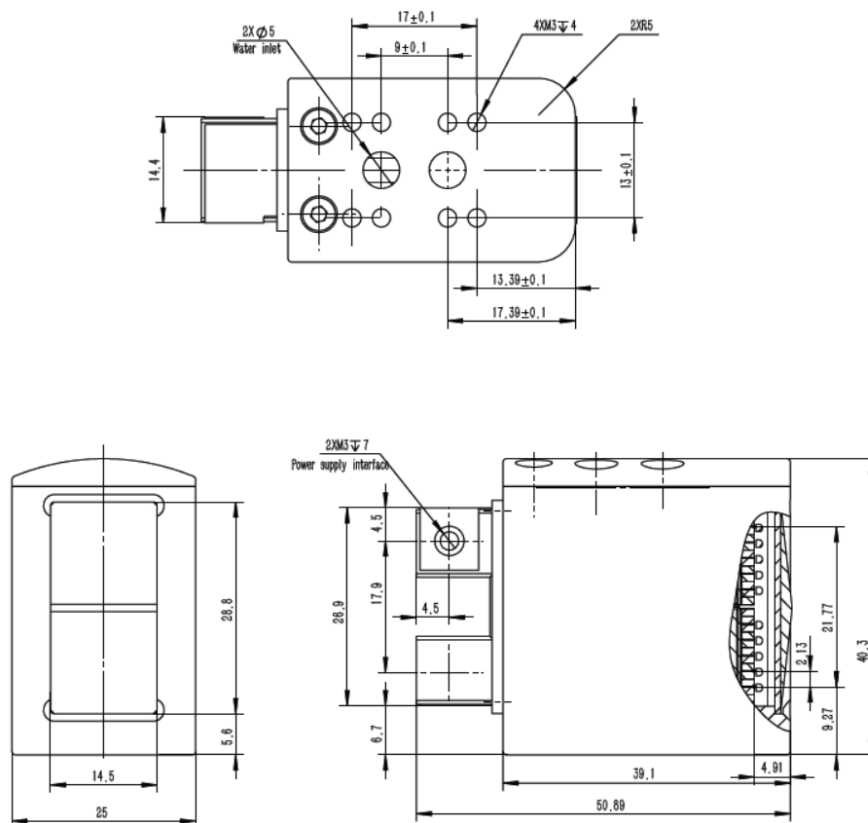
### Features

- High power 200W/bar
- High beam quality
- High reliability
- Small size
- Light weight

### Applications

- Hair removal

### Product Dimensions (mm)



**Remark:** The structure drawing is for reference only. Please feel free to contact us for any special requirements.

## Product Specifications

### Product Code

**HAR300087**

### Part No. <sup>1</sup>

FL-Vsilk2Pro-2000-808

Optical Data <sup>2</sup>	Unit	Value
Centroid Wavelength	nm	808
Wavelength Tolerance	nm	± 15
Output Power <sup>3</sup>	W	2000
Number of bars	-	10
Bar to Bar Pitch	mm	2.1
Fast Axis Divergence 95%	°	5 ~ 7
Slow Axis Divergence 95%	°	12 ~ 14
Spot Size <sup>4</sup>	mm	12 × 24
Wavelength Temp. Coefficient	nm/°C	~ 0.28

### Electrical Data <sup>2</sup>

Operation Current	A	≤200
Threshold Current	A	≤ 30
Operating Voltage	V	≤ 20
Slope Efficiency per bar	W/A	≥ 1.1
Power Conversion Efficiency	%	≥ 48
Max. Pulse Width	ms	400
Max. Duty Cycle	%	30

### Miscellaneous Data <sup>2</sup>

Operating Temperature <sup>5</sup>	°C	22 ~ 28
Coolant	-	Distilled water or pure water
Flow Rate	L/min	3 ~ 4

<sup>1</sup>Part No. = Brand Code - Series - Power - Centroid Wavelength .

<sup>2</sup>Data at 25°C unless otherwise stated.

<sup>3</sup>Reduced lifetime if used above nominal operating conditions.

<sup>4</sup>At the 32mm working distance.

<sup>5</sup>A non-condensing environment is required for storage and operation below ambient dew level.

