

Fast Axis Collimator

Blue FAC 250



Features and Advantages

Acylindrical lens for the collimation of the fast axis of diode lasers.

The new revision has an increased power content of >92% within ± 1.5 mrad.

Product Specifications

Specification Data	Unit	Value
Material		FL-Blue
Width (W)	mm	0.4 ± 0.05
Thickness (T)	mm	0.3172 ± 0.01
Clear aperture	mm ²	3.15×0.3
Refractive index n @ 445 nm		1.763
Effective focal length (EFL) @ 445 nm	mm	0.25
Back focal length (BFL) @ 445 nm	mm	0.07
Numerical aperture (NA)		0.75
Transmission	%	> 99
Power within an angle of ± 1.5 mrad ⁽¹⁾	%	> 92

Product Code **ZLE002522⁽³⁾**

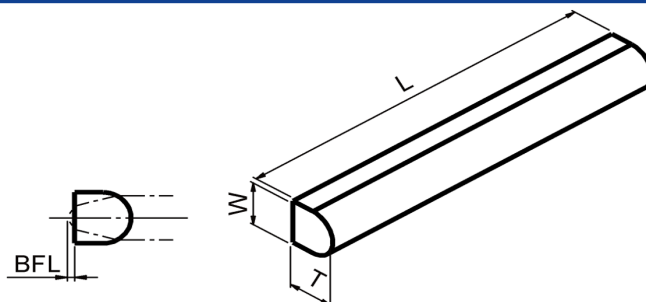
Specification Data	Unit	Value
Length (L)	mm	3.5 ± 0.05
AR-Coating	nm	400 - 480
Surface imperfections (DIN ISO 10110-7)		5/2x0.025; C2x0.1; L2x0.025; E ⁽²⁾

⁽¹⁾ Valid for an emitter-height of 0.7µm and no smile of the laser diode; the design of FAC250 is diffraction limited: $(FW/e^2, \text{Gaussian})$ remaining div. \sim emitter height / EFL(FAC)

⁽²⁾ Chipping on short edge 0.1, chipping on long edge 0.05.

⁽³⁾ Example for customization—design, dimensions & coating on request..

Product Drawing (mm)



Rev 01 | Updated September 25, 2023 | RoHS compliant 2011/65/EU and 2015/863/EU